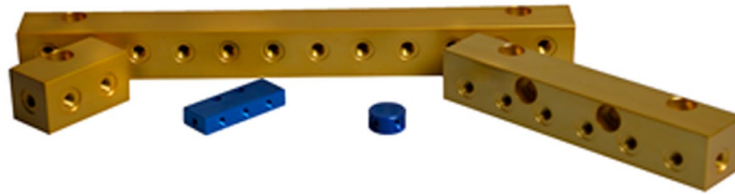


## Distribution Blocks

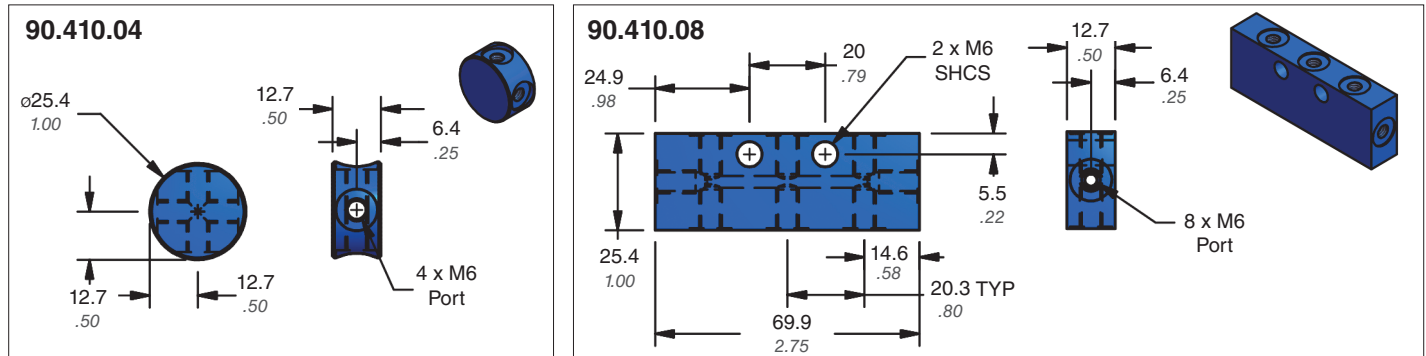
The Distribution Block is used with a Control Panel to simplify piping to multiple cylinders with a uniform system pressure. A linked system using a Distribution Block may be setup based on individual customer specifications. DADCO offers a variety of Distribution Blocks with different port options (Mini M6, Standard G1/8 and Compact G 1/8) to accommodate a variety of system configurations.



### Mini M6 Distribution Blocks

**90.410.04 / 90.410.08**

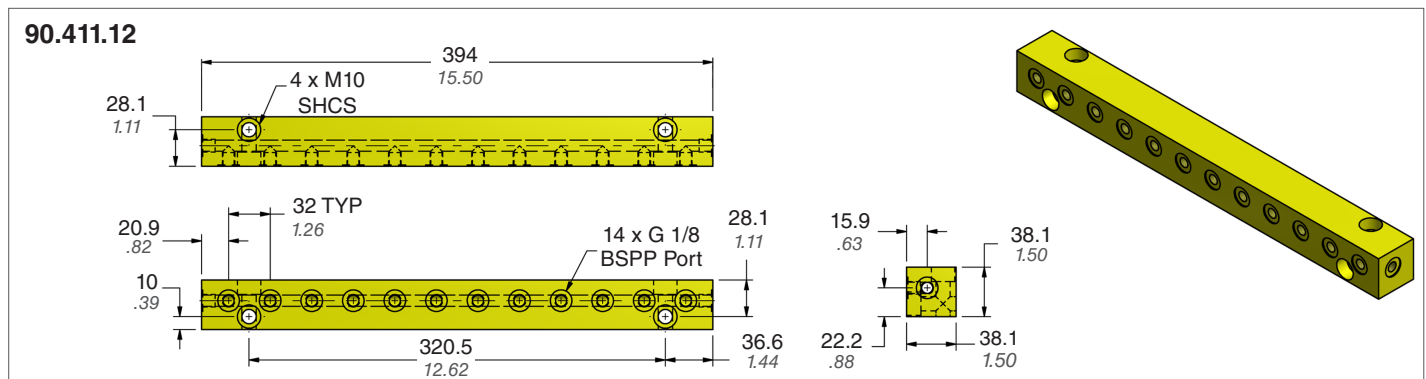
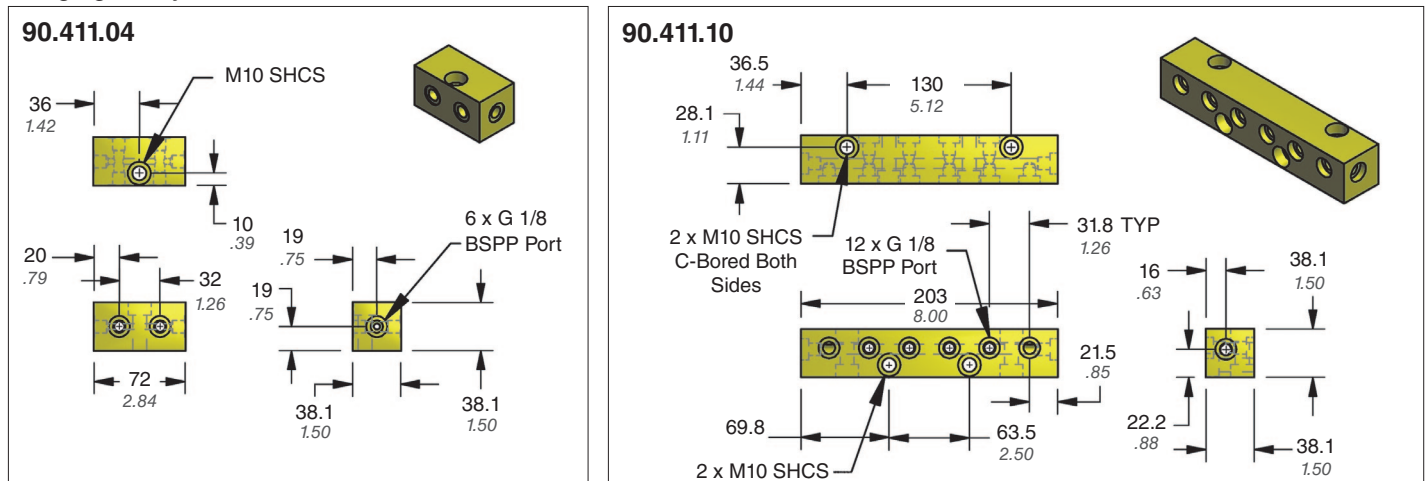
The Mini Distribution Blocks feature four or eight M6 port locations. Plug unused ports with 90.607.110 Port Plug before charging the system.



### Standard G 1/8 Distribution Blocks

**90.411.04 / 90.411.10 / 90.411.12**

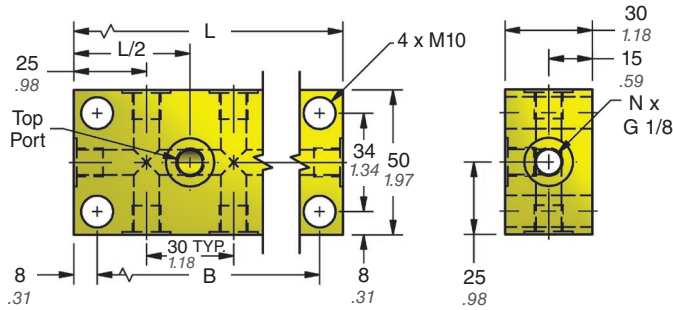
The Standard Distribution Block features 4, 10 or 12 G 1/8 ports. Plug unused ports with 90.505.110 Port Plug before charging the system.



# Nitrogen Gas Spring Accessories

## Compact G 1/8 Distribution Blocks

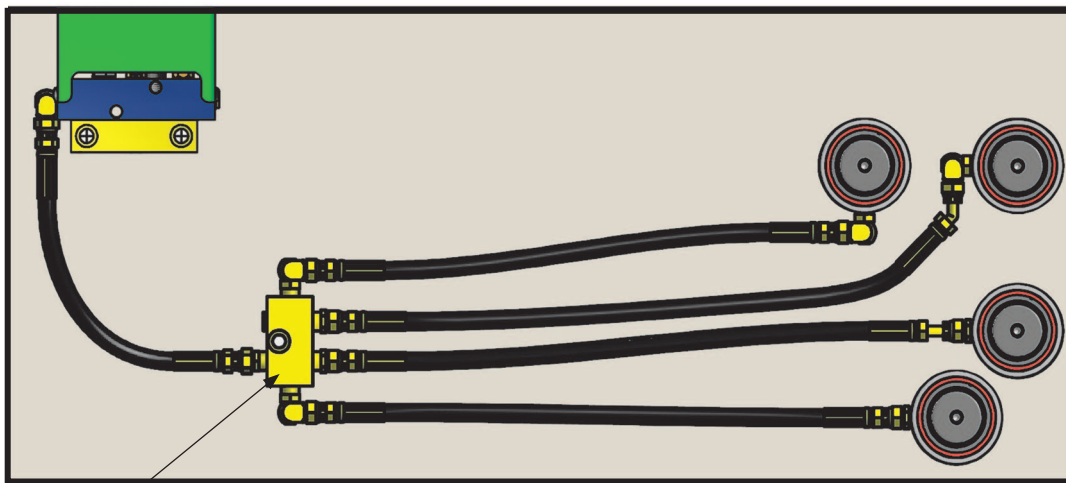
The Compact Distribution Block has 6-12 G 1/8 ports. Plug unused ports with 90.505.110 Port Plug before charging the system.



Model	N (Total Ports)	End Ports	Top Port	Side Ports	L	B
90.412.06	6	2	-	4	80 3.15	64 2.52
90.412.07	7	2	1	4	80 3.15	64 2.52
90.412.08	8	2	-	6	110 4.33	94 3.70
90.412.09	9	2	1	6	110 4.33	94 3.70
90.412.10	10	2	-	8	140 5.51	124 4.88
90.412.12	12	2	-	10	170 6.69	154 6.06

## Distribution Block Application

The diagram below illustrates a Linked System application with a Control Panel and a four port distribution block (90.411.04).



90.411.04