

DADCO 120 VAC Pressure Monitor 90.421.1 (DPM-1)



INSTALLING YOUR DADCO PRESSURE MONITOR

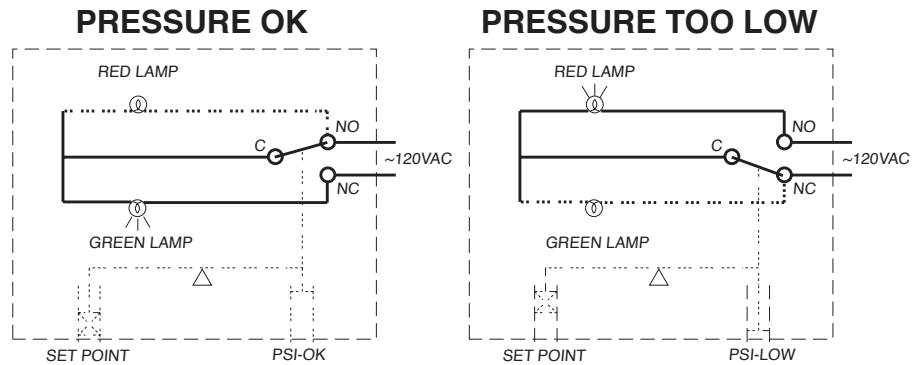


FIG. 1

FIG. 2

DADCO's Pressure Monitor alerts the press controller to shut down the press by indicating pressure drops below a pre-set level 15 - 200 bar (200 - 3000 psi).

Supplying Power

1. Remove the four screws fastening the cover plate and rubber gasket.
2. Supply power to the 90.421.1 with 120 VAC through Port A (Fig. 3).
3. Hook up wires as follows:
 - 120 Black (hot) to the "NO" terminal
 - 120 White (neutral) to the "NC" terminal
 - (Ground) to the "G" screw
4. When the line is live the Red lamp will come on if no pressure is present. Manually activate the switch to test the Green lamp.

Setting Switch Pressure

1. Link the 90.421.1 with the system or known pressure source through the 1/4 NPT Port D (Fig. 3).
2. Set the system or pressure source to minimum operating pressure.
3. Loosen Set Screw B (Fig. 3) so that Adjust Screw C can be freely operated.
 - If the Red lamp is on, turn C slowly counterclockwise until the Green lamp is activated.
 - If the Green lamp is on, turn C slowly clockwise until the Red lamp is on, then counterclockwise just enough to indicate Green.
4. Once the proper setting has been made, re-tighten Set Screw B.
5. The 90.421.1 will now indicate Green if the system's pressure is at or above the minimum operating pressure (Fig. 1) or Red if below the minimum operating pressure (Fig. 2).

Applications

1. To use the 90.421.1 as an indicator, the cover plate can be re-attached and the monitor is ready to be mounted.
2. The switch housed within the 90.421.1 can also be used as a sensor to signal press controls in the event the pressure is below the minimum required.

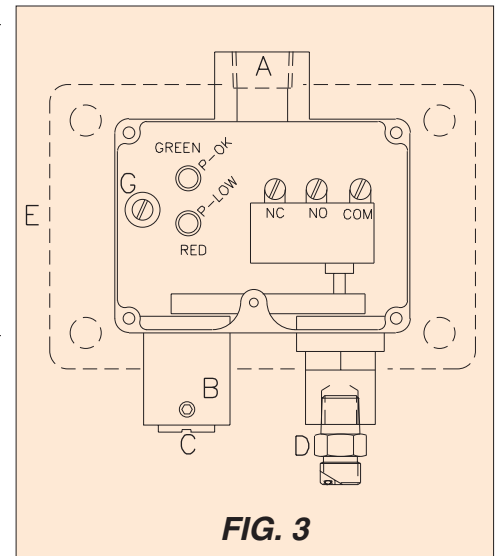


FIG. 3

LEGEND

- A- WIRING PORT**
- B- SET SCREW**
- C- PRESSURE ADJUST**
- D- 1/4 NPT**
- E- BACKING PLATE**
- G- GROUND**
- NC- NORMALLY CLOSED**
- NO- NORMALLY OPEN**
- COM- COMMON**

Ordering Example:

90.421.1. BP. 102

Volt/Switch _____ **Fitting**
 S-102 - straight SEAL-LOK
 S-202 - 90° SEAL-LOK

Backing Plate _____
 (optional)

B00136