

DADCO®

Extreme Condition Solutions



**IMPROVE PERFORMANCE IN
HARSH ENVIRONMENTS**

PED
2014/68/EU
COMPLIANT

DADCO®

The global leader in nitrogen gas spring technology

DADCO produces top quality products at competitive prices and provides a superior level of customer service. Founded in 1958, DADCO is the highest volume producer of gas springs for press tools. DADCO's products are widely approved and used in global operations for many industries including metal stamping, automotive and plastic injection molding.

Customer Satisfaction

DADCO's motto is "Whatever It Takes To Satisfy Our Customers." DADCO will assist in any way possible to ensure that customers are completely satisfied. DADCO's salespeople and distributors are solution-oriented, product-knowledgeable, and eager to assist customers. DADCO's engineers are available to help customers with specific applications.

Rapid Delivery

DADCO's modern 13,150 m² main production facility as well as satellite facilities permit the fastest deliveries in the industry. Products are available both directly and through a network of trained distributors providing worldwide support.

Warranty

DADCO warrants its products to be free from defects in workmanship or materials for a period of one year from date of manufacture.

CAD Templates On-line



DADCO's entire product line is available on-line in solid models and 2D CAD formats. For more information, visit our website, www.dadco.net, or contact DADCO.

Extreme Condition Solutions

DADCO offers a variety of nitrogen gas spring solutions for extreme condition applications where draw die compounds and other contaminants are used. These options are designed to wipe away or shield the cylinder from caustic fluid to ensure proper operation and extend gas spring life. This catalog details the standard options that DADCO provides. Contact DADCO for more information about rod covers or to get additional assistance with your specific application.

Secondary Wiper



Plated Fittings and Control Panels



Plated Cylinder with Secondary Wiper



Rod Cover



Secondary Wiper

DADCO offers secondary urethane wipers designed to wipe away contaminants from the gas spring rod. The wipers are available in various styles depending on the gas spring construction. Refer to the drawings below and reference the series product catalog for more information. Reference the charts for the appropriate ordering code based on the gas spring model.

Advantages:

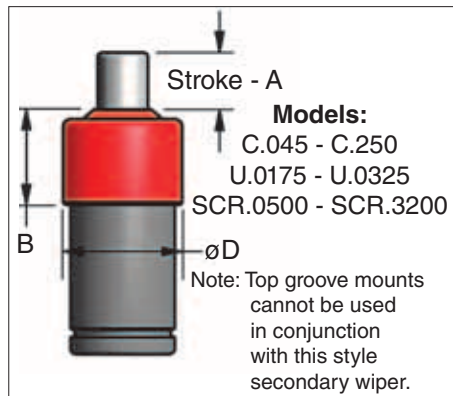
- Extra protection from ingestion of fluid
- Long-lasting urethane material resistant to lubricant damage
- Minimal stroke loss after installation



Cylinders with Secondary Wipers

C, U.0175-U.0325 and SCR Series

For the Micro, **Ultra Force**® (U.0175 and U.0325 only) and the SCR Series, DADCO provides an external urethane wiper cap (UC) that slides over the rod and snaps into the top ring groove at any time. When a secondary wiper is installed on these gas spring models the top mount groove cannot be used.



Model	A mm	B mm	øD mm	Secondary Wiper Part No.
C.045	.6	22	15	90.346.4.UC.00045
C.070	.6	22	19	90.346.4.UC.00070
C.090	1.4	23	23	90.346.4.UC.00090
C.180	1.4	23	28.5	90.346.4.UC.00180
C.250	4	25.4	36	90.346.4.UC.00250

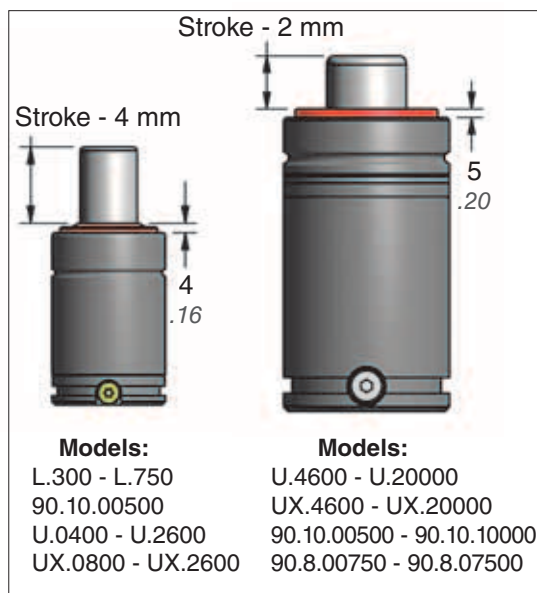
Model	A mm	B mm	øD mm	Secondary Wiper Part No.
U.0175	2	19	23	90.346.4.UC.00175
U.0325	2	19	28.5	90.346.4.UC.00325
SCR.0500	4	18	36	90.346.6.UC.00500
SCR.0800	4	18	42	90.346.6.UC.00800
SCR.1900	4	24	54	90.346.6.UC.01900
SCR.3200	4	26	67	90.346.6.UC.03200

Ordering Example (C.180 Model):
90.346.4.UC.00180

Secondary wiper ordered with cylinder will be attached at the factory.

L, U.0400-U.20000, UX, 90.10 and 90.8 Series

For gas spring series that have a removable dust cap, DADCO offers either a combined urethane dust cap and wiper (UW) or, where additional scraping capability is required, the spring-loaded PTFE (TW) wiper (available for many models) can easily replace the original dust cap when installed at the factory.



Secondary wiper ordered with cylinder will be attached at the factory.

Ordering Example (U.4600 Model):

90.346.3.UW.04600



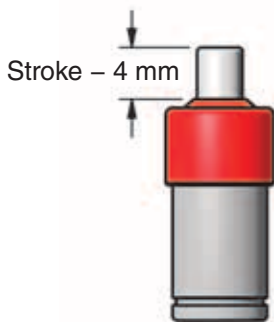
Wiper option (TW)

Model	Secondary Wiper Part No.		
	UW Wiper Option	TW Wiper Option	
L.300	90.346.2.UW.00300	90.346.2.TW.00300	
90.10.00500	L.500	90.346.2.UW.00500	90.346.2.TW.00500
	L.750	90.346.2.UW.00750	90.346.2.TW.00750
U.0400		90.346.3.UW.00400	90.346.3.TW.00400
U.0600		90.346.3.UW.00600	90.346.3.TW.00600
U.0800	UX.0800	90.346.3.UW.00800	90.346.3.TW.00800
U.1000	UX.1000	90.346.3.UW.01000	90.346.3.TW.01000
U.1200		90.346.3.UW.01200	90.346.3.TW.01200
U.1600	UX.1600	90.346.3.UW.01600	90.346.3.TW.01600
U.2600	UX.2600	90.346.3.UW.02600	90.346.3.TW.02600
U.4600	UX.4600	90.346.3.UW.04600	Contact DADCO for availability.
U.6600	UX.6600	90.346.3.UW.06600	
U.9600	UX.9600	90.346.3.UW.09600	
U.20000	UX.20000	90.346.3.UW.20000	
90.10.00750	90.8.00750	90.346.1.UW.00750	
90.10.01500	90.8.01500	90.346.1.UW.01500	
90.10.03000	90.8.03000	90.346.1.UW.03000	
90.10.05000	90.8.05000	90.346.1.UW.05000	
90.10.07500	90.8.07500	90.346.1.UW.07500	

For the ultimate solution, DADCO offers cylinders with both a special plated finish and a secondary wiper installed. See below for details on the wiper caps and ordering information. For more information on a particular DADCO gas spring series, refer to the relevant product catalog. For high temperature applications, contact DADCO.

Advantages:

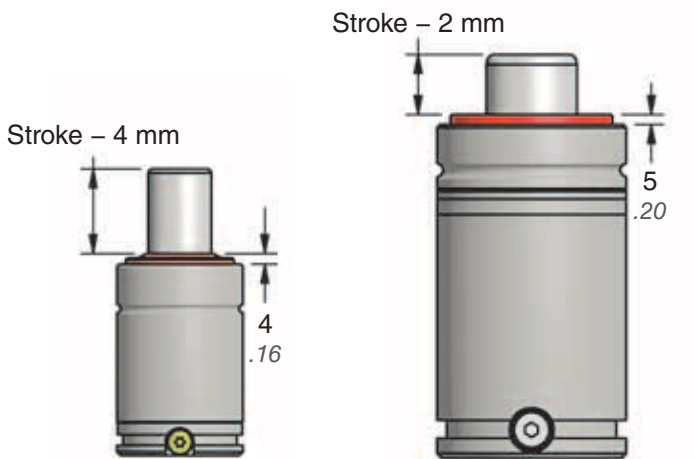
- Plated rod and can for extreme condition performance
- Secondary wiper for protection against external contamination
- Extra corrosion resistance in harsh environments
- Easy to order: Add "Q" to the DADCO part number



Models:
SCR.0500 - SCR.3200



Plated Cylinders with Secondary Wipers



Models:
L.300 - L.750
90.10.00500
U.0400 - U.2600
UX.0800 - UX.2600

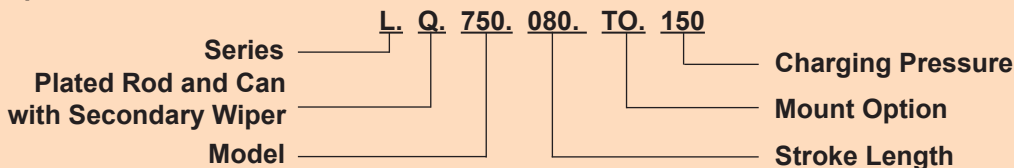
Models:
U.4600 - U.20000
UX.4600 - UX.20000
90.10.00500 - 90.10.10000

NOTE: To calculate usable stroke length, subtract the value provided in the appropriate drawing.

Series	Plated Cylinder + Secondary Wiper Part No.
L Series (L.300 - L.750)	L.Q.300.(stroke)
U Series (U.0400 - U.20000)	U.Q.0400._____
UX Series (UX.1000 - UX.20000)	UX.Q.1000._____
90.10 Series (90.10.00500 - 90.10.10000)	90.10.Q.00500._____

*Recommended Stroke Lengths:
L & U Series: 013, 025, 038, 050, 080
UX & 90.10 Series: 025, 038, 050, 080 100, 125 and 160*

Ordering Example:

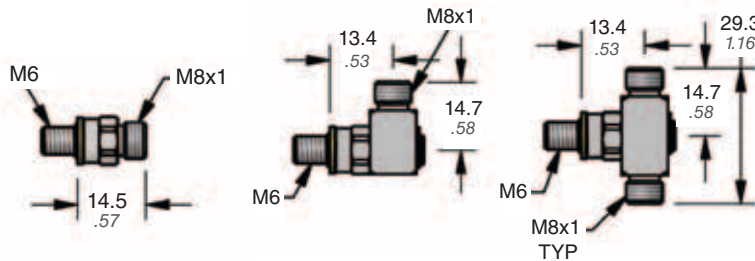


Refer to relevant product catalog for more information on individual gas spring models.

Fittings and Control Panels

DADCO offers a variety of stainless steel fittings to be paired with Y-700 or Y-500 hose when linked operation in extreme condition environments is necessary. Refer to the Linked System Components Catalog (C09118G) for more information on all of DADCO's piping options.

MINILink® Port Adapters

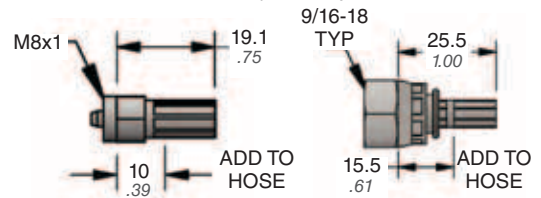


90.607.120.SS
(L-120-SS)
Straight Port Adapter

90.607.220.SS
(L-220-SS)
90° Port Adapter

90.607.429.SS
(L-429-SS)
Branch Tee
Port Adapter

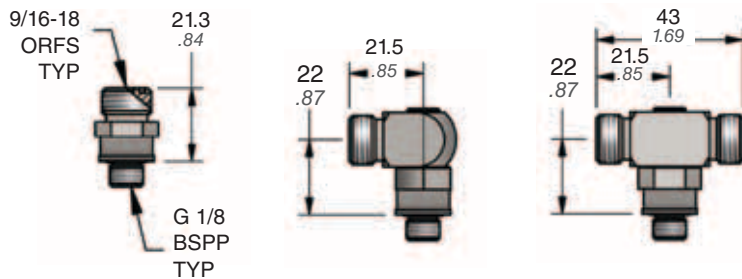
MINILink® Hose Adapter for 90.700/90.705 (Y-700)



90.601.943.SS
(L-943-SS)
Permanent Hose Adapter

90.504.943.SS
(S-943-SS)
Straight Swivel

ORFS Port Adapters

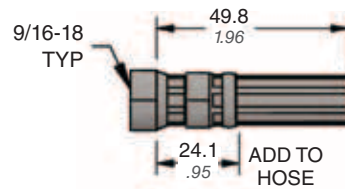


90.505.115.SS
(S-115-SS)
Straight

90.506.230.SS
(S-230-SS)
90° Swivel

90.506.439.SS
(S-439-SS)
Branch Tee

ORFS Permanent Hose Adapter for 90.500 (Y-500)



90.504.843.SS
(S-843-SS)
Compact Swivel

Control Panels

DADCO Control Panels are used to fill, drain and monitor the pressure of linked DADCO nitrogen gas springs from outside the die. Each panel consists of a high pressure gauge, rupture disk, a quick disconnect fill valve and a bleed valve. For maximum versatility, the panel is available with a variety of fitting connections. For extreme condition applications the panel may be ordered with stainless steel components: quick disconnect valve (90.310.110.SS) and fitting connection (90.607.120.SS or 90.505.115.SS). Refer to the Linked System Components Catalog for more information on each of these panels.

Convertible Control Panel



Compact Control Panel



Mini Convertible Control Panel



Ordering Examples:

<p>90.406. P 1 N .SS</p> <p>Convertible Control Panel</p> <p>Gauge Style PSI/Bar Gauge = P Bar/MPa Gauge = A</p> <p>Guard Top = 1, Top and Bottom = 2</p>	<p>90.405. P N .SS</p> <p>Compact Control Panel</p> <p>Gauge Style PSI/Bar Gauge = P</p>	<p>90.407. P N .SS</p> <p>Mini Control Panel</p> <p>Gauge Style PSI/Bar Gauge = P</p>
<p>Stainless Steel Components</p> <p>Fitting Connection N = No Fitting, S = ORFS Fitting, When not specified, default is N.</p>	<p>Stainless Steel Components</p> <p>Fitting Connection N = No Fitting, S = ORFS Fitting, When not specified, default is N.</p>	<p>Stainless Steel Components</p> <p>Fitting Connection N = No Fitting, S = ORFS Fitting, L = MINILink® Fitting When not specified, default is N.</p>

Other DADCO Products



Micro – C Series

- Five Models: **Micro 45[®]**, **Micro 70[®]**, **Micro 90[®]**, **Micro 180[®]** and **Micro 250[®]**
- Color-coded forces from 50 daN to 313 daN
- Full range of stroke lengths up to 200 mm
- Ideal for coil spring replacement



Mini – L / LJ Series

- 38 mm, 45 mm and 50 mm diameters
- Force models: 3 kN, 5 kN, 7.5 kN
- Full range of standard strokes up to 125 mm
- Common M6 port for linked operation



Ultra Force[®] – U Series

- 19 mm to 195 mm in diameter
- Forces up to 199 kN
- Full range of standard stroke lengths up to 125 mm
- **UltraPak[®]** cartridge for long life



UH Series

- 32 mm to 120 mm in diameter
- Forces up to 66 kN
- Full range of standard stroke lengths up to 125 mm
- Common G1/8 port for linked operation



ISO / 90.10 Series

- From 32 mm to 195 mm in diameter
- Forces up to 100 kN
- Full range of standard stroke lengths up to 300 mm
- Bolt-on or welded mounts available
- ISO Standards



Ultra Force Extended[®] – UX Series

- 25-55% more force on-contact than ISO Standard Nitrogen Gas Springs
- From 50 mm to 195 mm in diameter
- Forces up to 199 kN
- Full range of standard stroke lengths up to 200 mm
- Bolt-on or welded mounts available

DADCO[®]

43850 Plymouth Oaks Blvd. • Plymouth, Michigan • 48170 • USA
734.207.1100 • 1.800.DADCO.USA • fax 734.207.2222 • www.dadco.net

The global leader in nitrogen gas spring technology