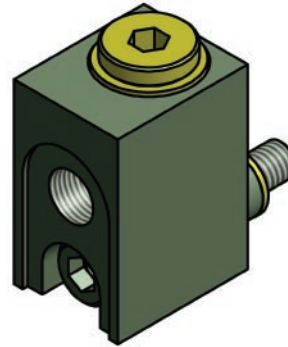
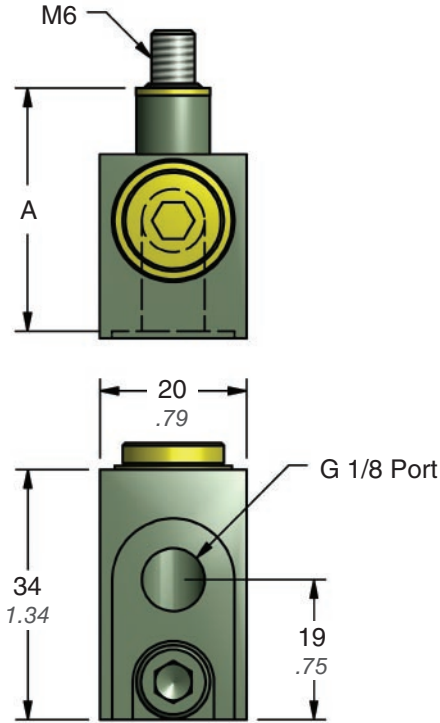


NEW!

DADCO's new M6 Port Adapters allow linking of M6 ported gas springs with traditional large hose requiring G 1/8 BSPP connections. The M6 → G 1/8 Port Adapters are available in straight and branch tee configurations to accommodate most hose layouts. To easily link gas springs with flange-type bottom mounts, DADCO offers extended versions of both adapters.

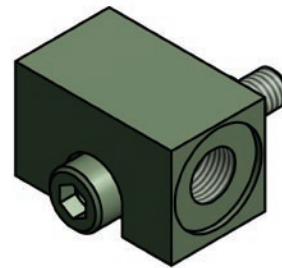
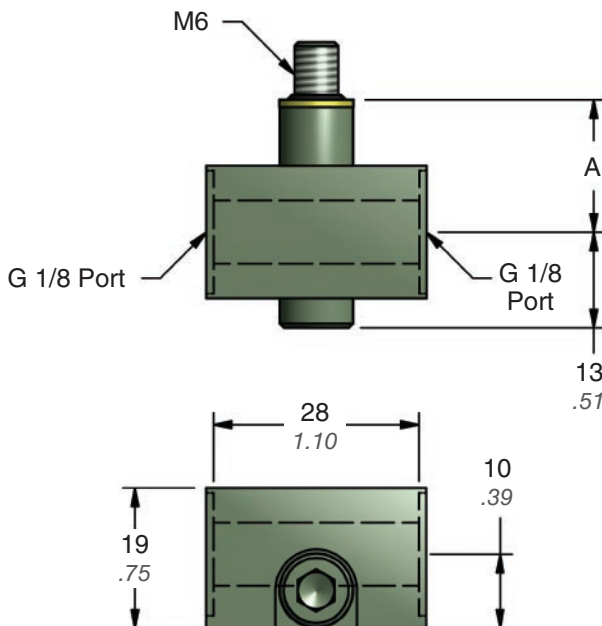


Straight Port Adapters



Part No.	A
90.607.116	33 1.30
90.607.126	46 1.81

Branch Tee Port Adapters



Part No.	A
90.607.439	18 .71
90.607.449	31 1.22

B10109