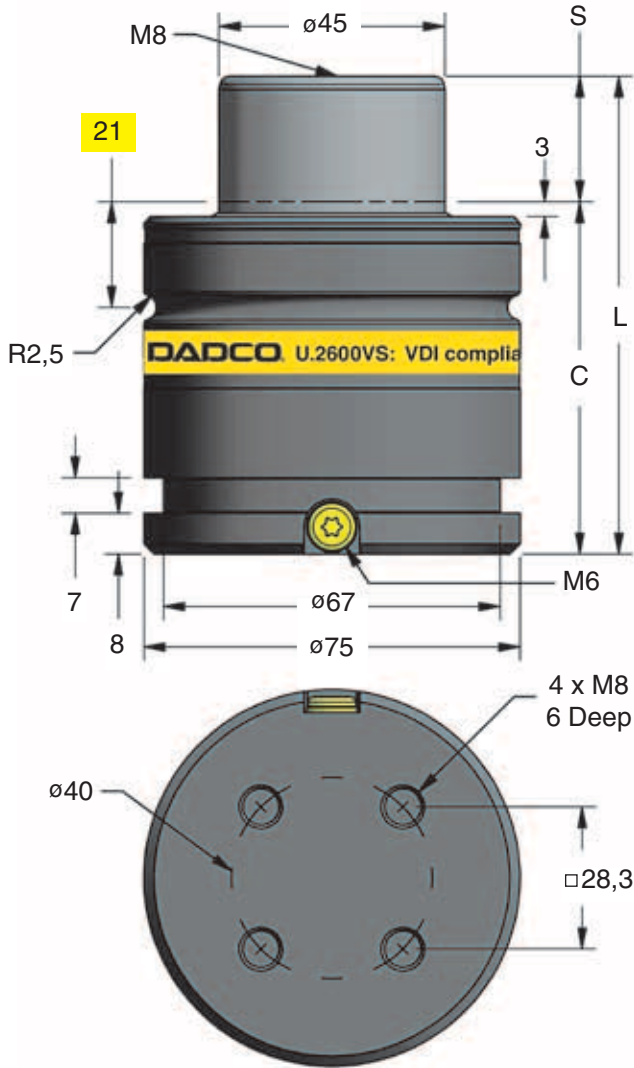


U.2600VS – 24 kN

DADCO's U.2600VS gas spring complies with the comparable VDI standard (VDI 3003 Blatt 3) specification with integrated overstroke protection. The U.2600VS model has the same overall length and mounting pattern as the standard U.2600 model, but the top groove location is positioned 2 mm closer to the end of the can. The recommended B25 top mount option is shown on page 2.

NEW!

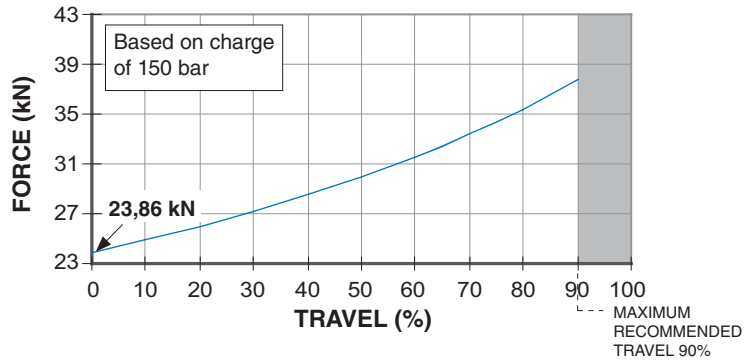


TO – Basic Model

Part No.	S mm	C	L ±0,25
U.2600VS.025	25	70	95
U.2600VS.038	37,5	82,5	120
U.2600VS.050	50	95	145
U.2600VS.063	62,5	107,5	170
U.2600VS.080	80	125	205
U.2600VS.100	100	145	245
U.2600VS.125	125	170	295

On-Contact Force

bar	kN
150	23,86
125	19,88
100	15,90
75	11,93
50	7,95
25	3,98



Ordering Example:

U.2600VS.025. TO. C. 150

Part Number: Includes Series (U), Model and Stroke Length.

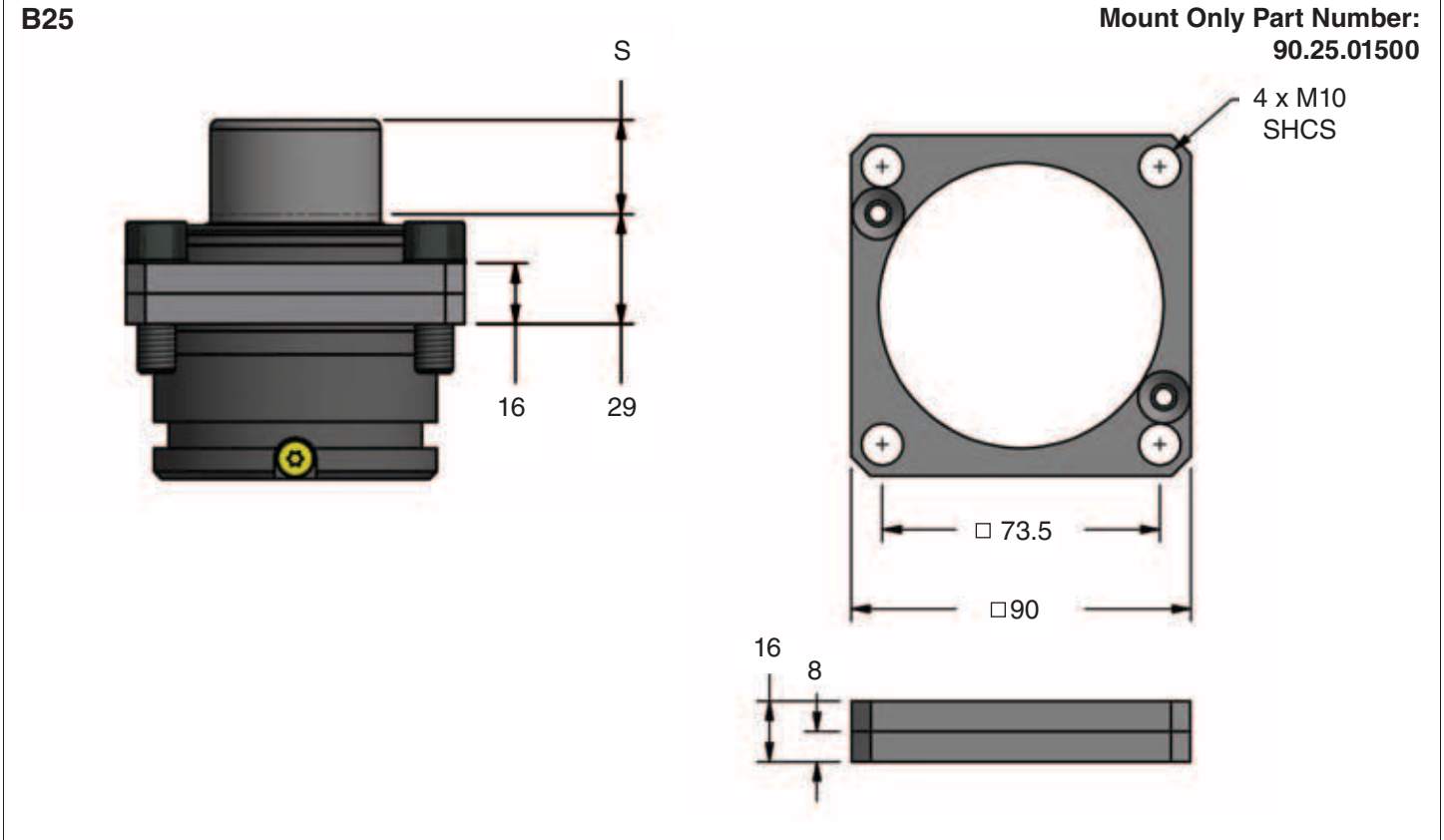
Mount Option: TO = Basic Model. When not specified, default is TO. Mounts ordered with cylinder will be attached at the factory.

Charging Pressure: 15-150 bar. When not specified, default is 150 bar.

Operating System: C = Self-contained, F = Open Flow Fitting. When not specified, default is C.

B25 Top Mount

The B25/90.25.01500 top mount is required for mounting the U.2600VS using the top groove location. Do not use B325/90.325.02600 mount; it is not compatible with U.2600VS models and will result in damage.



NOTES:

- The gas spring is laser marked with the full part number. Reference the part number when ordering replacement springs.
- Do not use 90.325.2600 mount with U.2600VS gas springs.
- Always verify the mount and spring dimensions before installing into the die.