

DADCO®

SCS Type Nitrogen Gas Spring

SCS.4300

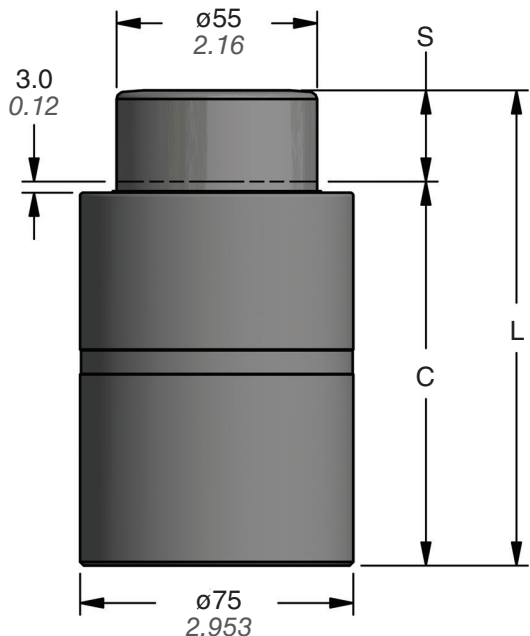
NEW!



- Up to 4 tons of force on-contact
- Extended rod guidance for side load resistance
- Integrated linking capability with the new 90.50.4300 base mount

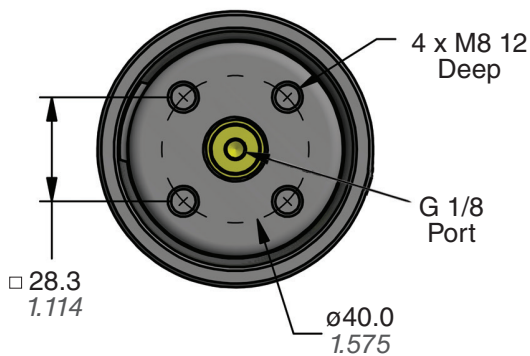
SCS.4300 – 35.6 kN

SCS Type Nitrogen Gas Spring

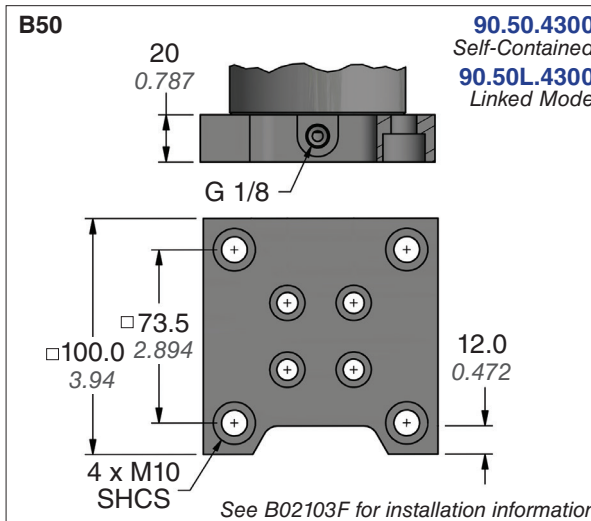


Part No.	S mm inch	C	L ±0.25 ±0.010
SCS.4300.015	15 0.59	85 3.35	100 3.937
SCS.4300.025	25 0.98	95 3.74	120 4.724
SCS.4300.038	38 1.50	112 4.41	150 5.906
SCS.4300.050	50 1.97	130 5.12	180 7.087
SCS.4300.063	63 2.48	147 5.79	210 8.268
SCS.4300.080	80 3.15	170 6.69	250 9.843

On-Contact Force		On-Contact Force	
psi	lb.	bar	kN
2175	8010	150	35.64
2000	7365	125	29.70
1750	6444	100	23.76
1500	5524	75	17.82
1000	3683	50	11.88
500	1841	25	5.94
250	921	20	4.75



TO - Basic Model



Ordering Example:

SCS.4300.080.TO.C.150

Part Number:

Includes Series, Model and Stroke Length.

Mount Option:

TO = Basic Model. B50 mount ordered with cylinder will be attached at the factory.
When not specified, default is TO.

Charging Pressure:

15-150 bar (220-2175 psi)
When not specified, default is 150 bar.

Operating System: C = Self-contained, F = Open Flow Fitting with mount. When not specified, default is C, self contained.