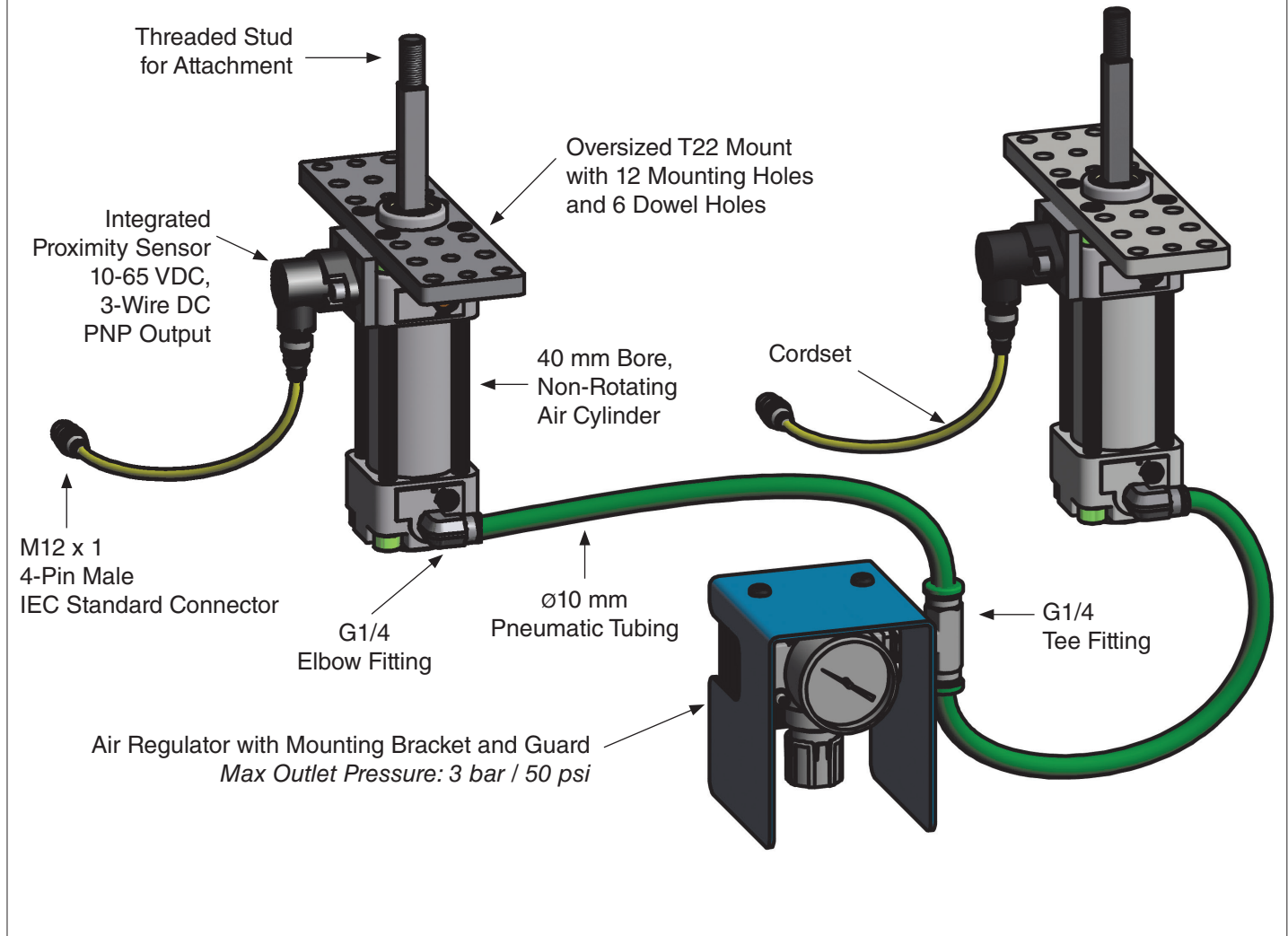


LP.HP.NY System Set

The HP LP Series System Set is designed to meet General Motors specification, GM# N90.80.105. The complete set contains two DADCO Non-Rotating 40mm bore HP Air Cylinders, outfitted with proximity sensors and oversized mounts to suit various mounting configurations. An air regulator, cordset, and pneumatic tubing complete the set for easy installation. For more information; contact DADCO.

System Components



Ordering Code: **LP.HP.NY.40.25** **[C5.P6]** *Omit from order code to exclude cordsets and pneumatic tubing.*

Assembly includes two 40mm bore, 25mm stroke, HP Metric Air Cylinders, air regulator; two cordsets (5 m) and pneumatic tubing (6 m). Components are disassembled for shipping, refer to page 2 for individual component part numbers and information on installation.

Previous Ordering Code: LP.HP.NY.E10E.40.25.T22

Operating Specifications

Charging Medium:	Air	System Pressure Range:	0-3 bar (0-50 psi)
Temperature:	-20°C – 70°C (-4°F – 158°F)	Max. Speed (HP.N):	0.2 m/sec. (0.66 ft/sec.)

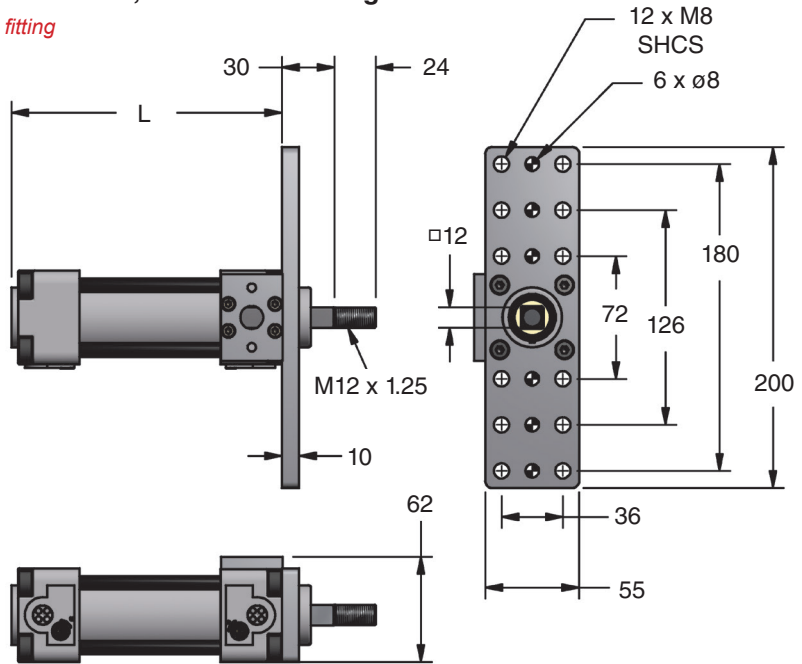
System Components

Components are disconnected for shipment to facilitate installation. Install the HP Air Cylinders using the attached T22 Mount and mount the Air Regulator with the Mounting Bracket (see dimensions below). Insert the Pneumatic Tubing into the G 1/4 Fittings on both the Air Regulator and the HP Air Cylinders. When connections are completed, fasten the electrical cordsets to the proximity sensors and connect them to the press controller.

HP.NY.S10E.40.25.F.4.T22 – Cylinder with T22 Mount, Sensor and Fitting

S = Sensor, E = no sensor, F = Fitting, G = no fitting

Part No.	Stroke	L (mm)
HP_.40.25	25	134
HP_.40.50	50	159
HP_.40.80	80	189
HP_.40.100	100	209
HP_.40.125	125	234



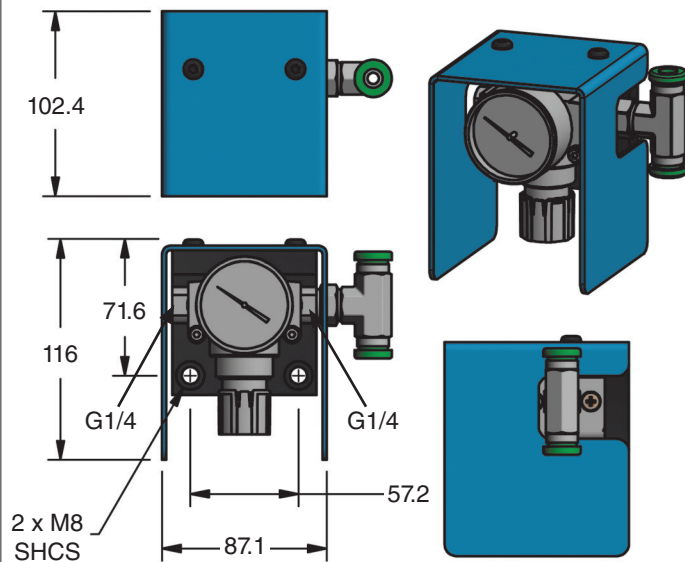
IZ543787 – Cordset 5 meter cordset



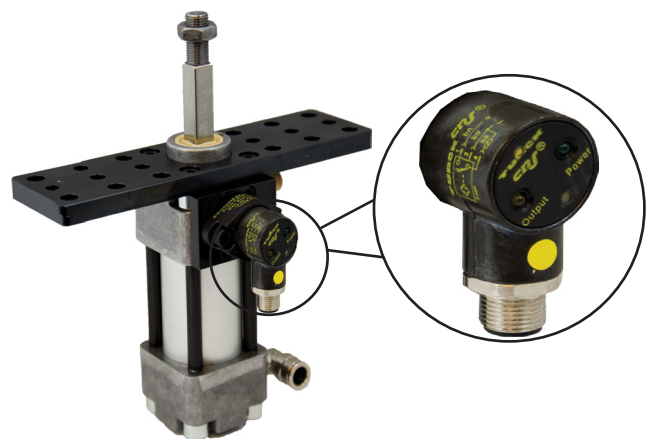
IZ873357 – Pneumatic Tubing Specify length



HPAR.N.T – Air Regulator w/ Mounting Bracket & Guard



IQ543787 – Proximity Sensor



Sensor Pinout Diagram

