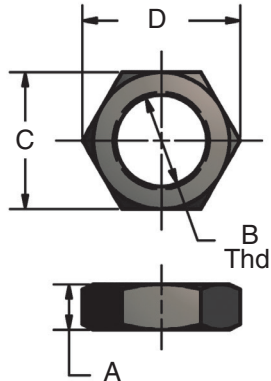


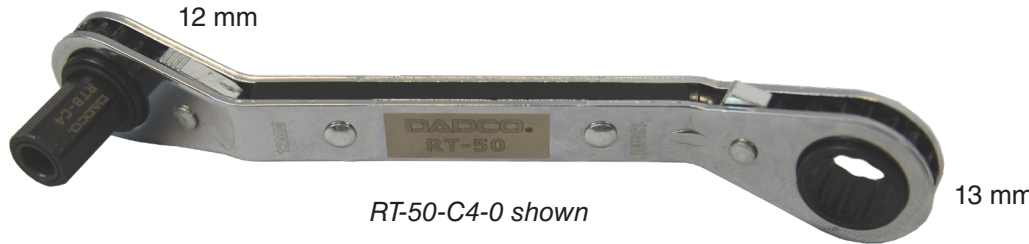
Jam Nut



	C70-JN2	C70-JN1
A	10 .39	10.7 .42
B	M20 x 1.5	3/4"-16
C	30 1.18	28.6 1.13
D	34.6 1.36	33 1.30
Max. Torque	lb-in	300
	N-m	34

Installation & Removal Tool

RT-50 Tool




12 mm

13 mm

RT-50-C4-0 shown

DADCO's RT – Ratcheting Tool facilitates installation and removal of DADCO's Micro Series Threaded Body Style Nitrogen Gas Springs and DADCO's SL.16 and E.16 Nitrogen Gas Stock Lifters. The RT-50 Tool is available with a variety of internal and external hex drives to suit each threaded body model.
 For more information, reference Bulletin B04139C

C4



Hex Drive: 12 mm External; Hardened Steel
 Fits Springs: **C.070.TB1 and TB2**
 Max Torque: 200 lb-in (22 N-m)
 Bit Size: 12 mm
Bit Part Number: RTB-C4

Ordering Example:

RT-50-C4-0

Part Number: _____
 Includes Tool Model

12mm End Bit: _____
 C1, C4, E1 or S1 (0=No Bit)

13mm End Bit: _____
 C2, C3 or S2 (0=No Bit)