

All aluminum rod covers provide protection in multiple environments against fluids, abrasive grit, and metal chips or slivers encountered in processing of lightweight and high strength formed parts.

Benefits include:

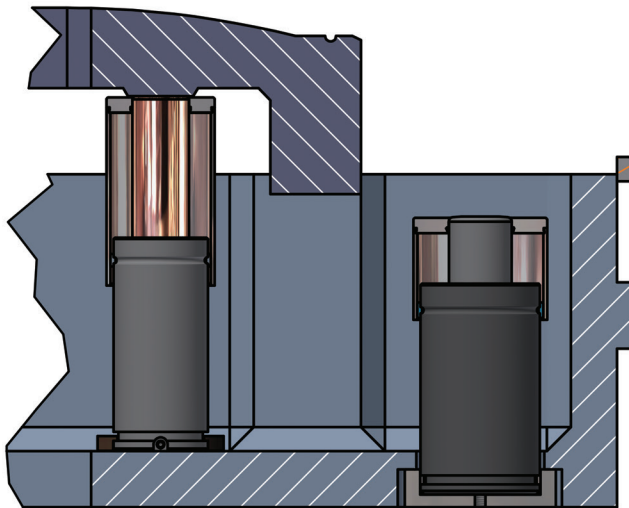
- Extra rod protection from contamination and damage in harsh environments.
- Easy field installation; no gas spring modification required.
- Compatible with most models, no special tools required.

DADCO has offered rod covers of various types, including bellows since 1983. Attached to the top of the gas spring in a variety of methods (dependent on model type), use of a cover requires clearance along the body of the gas spring. Check design for proper clearance based on stroke and travel length.

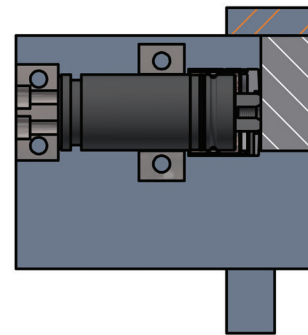


Installation Examples

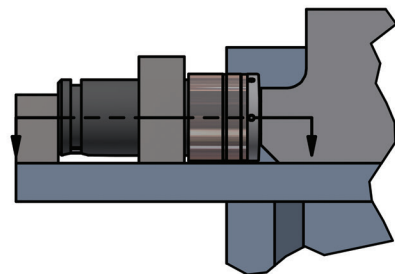
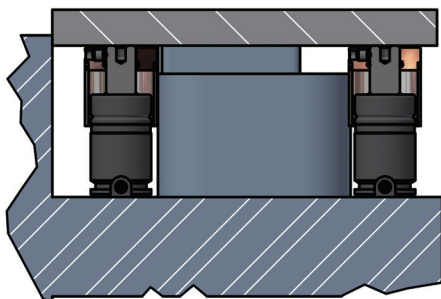
Large Gas Springs



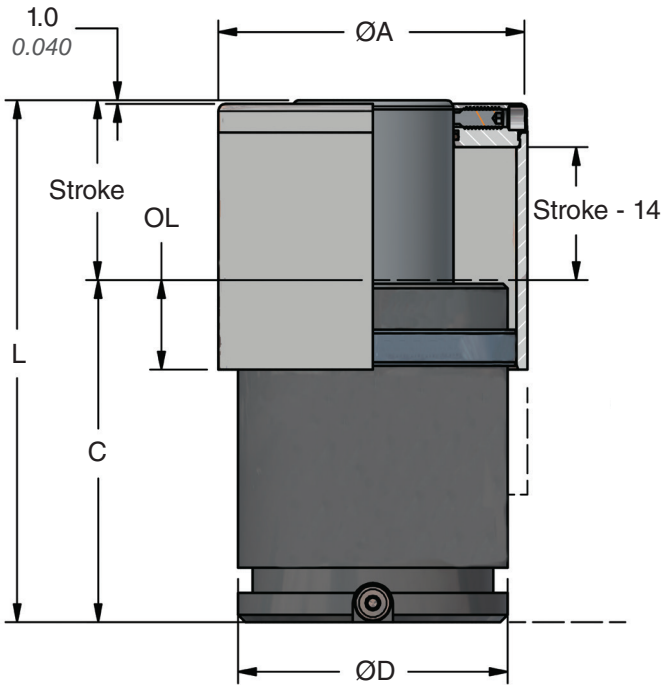
Cams



Small Stripper Applications



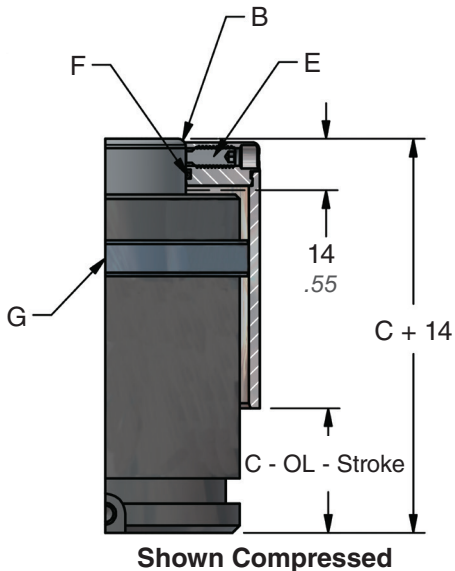
Rod Covers



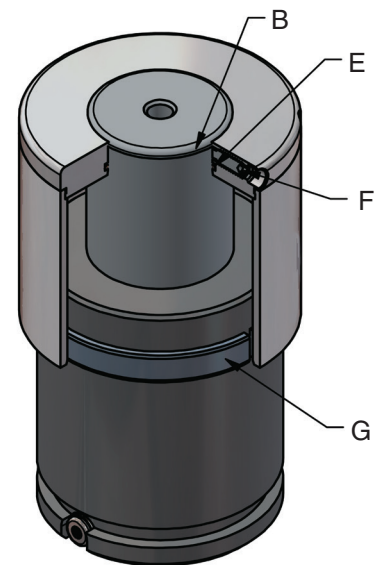
For complete dimensional information, consult specific series catalog and model information for C, L and Stroke.

- OL = Overlap of rod cover
- C - OL - Stroke = Cover location above base
- C + 14 = Minimum closed height with cover

Series	Model	ØD	ØA mm inch	OL mm inch
U, UH	0400	32	38 1.50	18 0.71
	0600	38	45 1.77	17 0.67
U, UX, UK	0800	45	50.8 2.00	24 0.94
U, UX, UK, UT	1000	50	57.2 2.25	23 0.91
U	1200			
U, UX, UK	1600	63	68 2.68	23 0.91
U, UX, UK, UT	2600	75	86 3.39	25 0.98
U, UX, UT	4600	95	106 4.17	31.5 1.24
90.10, 90.8	00750	50	57.2 2.25	24 0.94
	1500	75	86 3.39	27 1.06
	3000	95	106 4.17	31.5 1.24



- Standard gas spring height. No added height retainer cap required.
- Cover cap seats on rod end radius. (B)
- Two set screws affix the precision cover end to the standard rod end. (E)
- O-ring (F)
- Combination tube guide and lower excluder are installed on the cylinder body mount groove. (G)



Ordering Example:

90.346.3.AR.0800.080

Part Number: _____
U/UH/UX/UT/UK Series: 3.AR,
90.10/90.8 Series: 1.AR

Stroke: Varies depending on Model. See series product catalogs for more information.
Model: 0400, 0600, 00750, 0800, 1000, 1200, 1500, 1600, 2600, 3000, 4600